

**PRODUCT TECHNICAL SHEET**

Collection : **CONTEMPORARY**

Ref. : **8026.--.24**

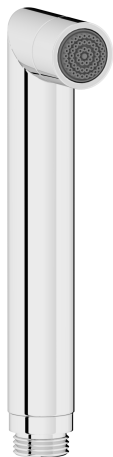
Douche à main droite

Handdouche, recht

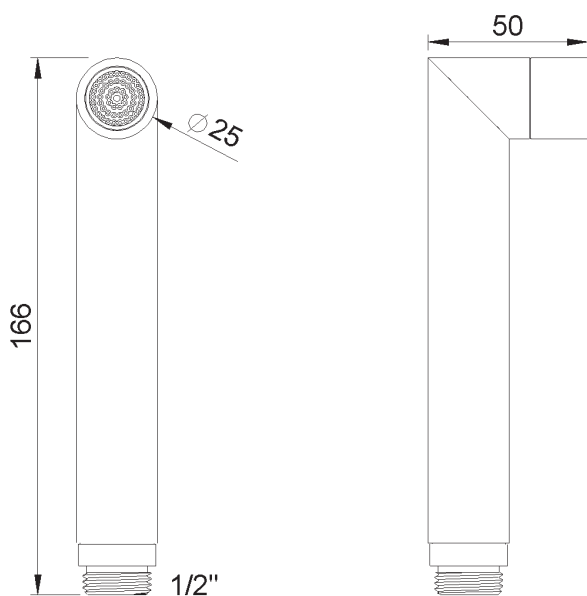
Handshower, straight

**Picture**

**Product details**



**Technical drawing**



RA1.V01